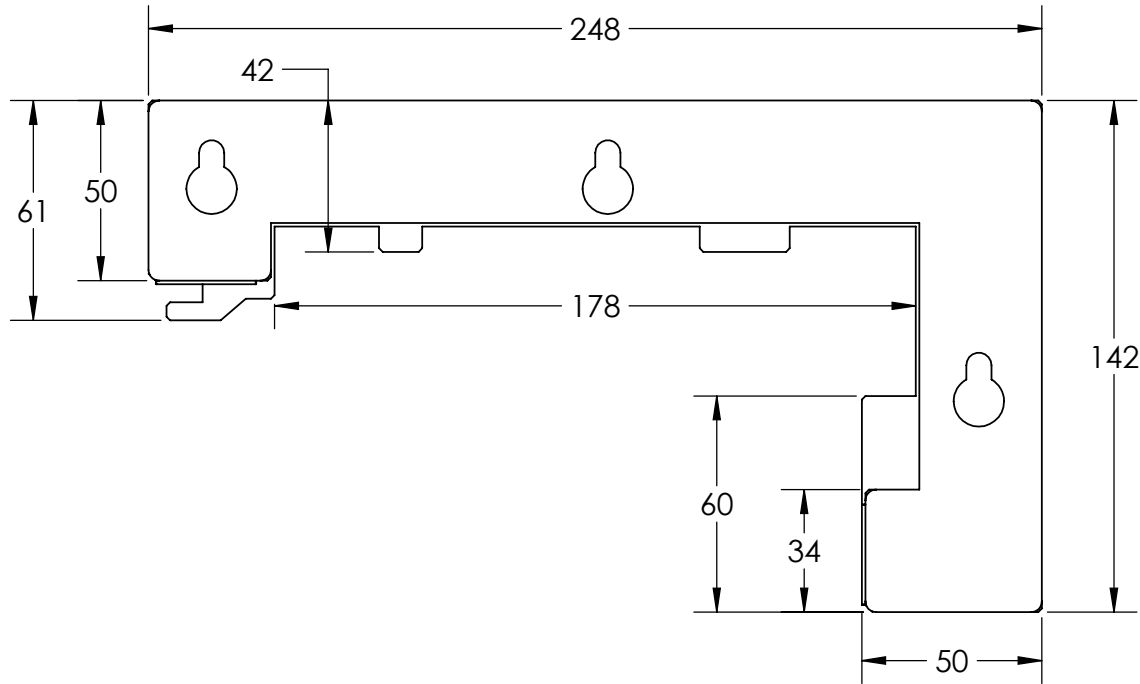
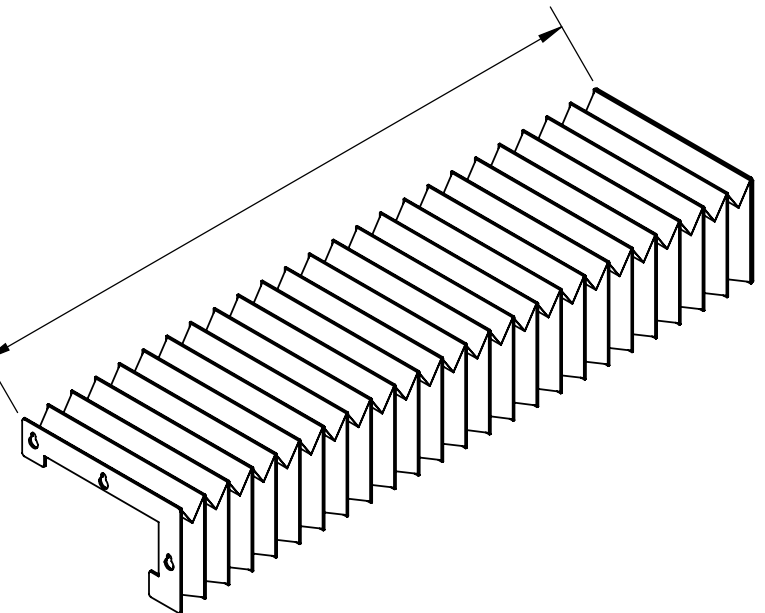


OEM: 1251452



OPEN LENGTH: 6950MM
CLOSED LENGTH: 650MM



DIMENSIONS IN MM



THIS DOCUMENT IS THE PROPERTY OF RICHARDSON ELECTRONICS, LTD. AND SHALL NOT BE COPIED, REPRODUCED, USED IN THE MANUFACTURE OR SALE OF APPARATUS OR DISCLOSED TO OTHERS WITHOUT PERMISSION.

Richardson Electronics, Ltd.
40W267 Keslinger Road
LaFox, IL 60147 USA

rellaser.com | laser@rell.com
1.800.348.5580 (USA & Canada)
1.630.208.2200 (International)